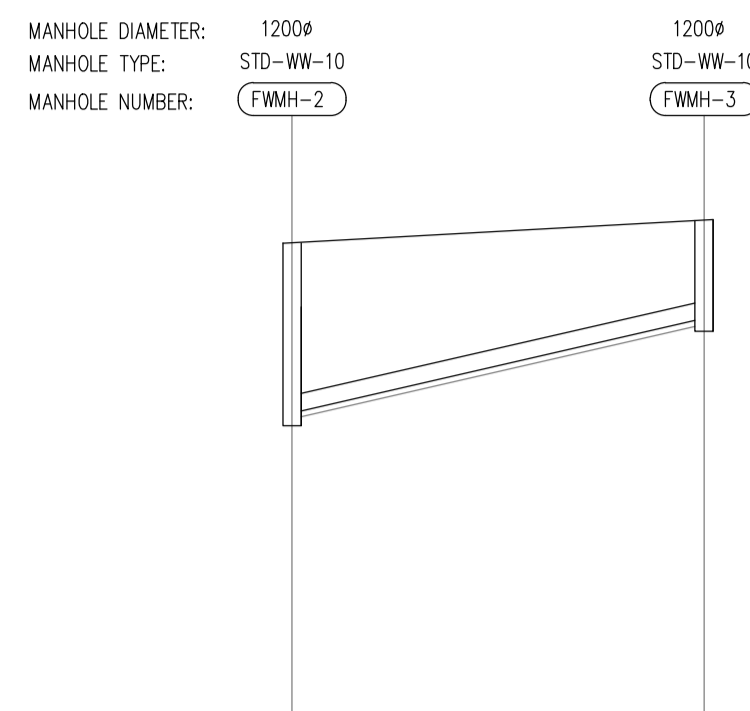


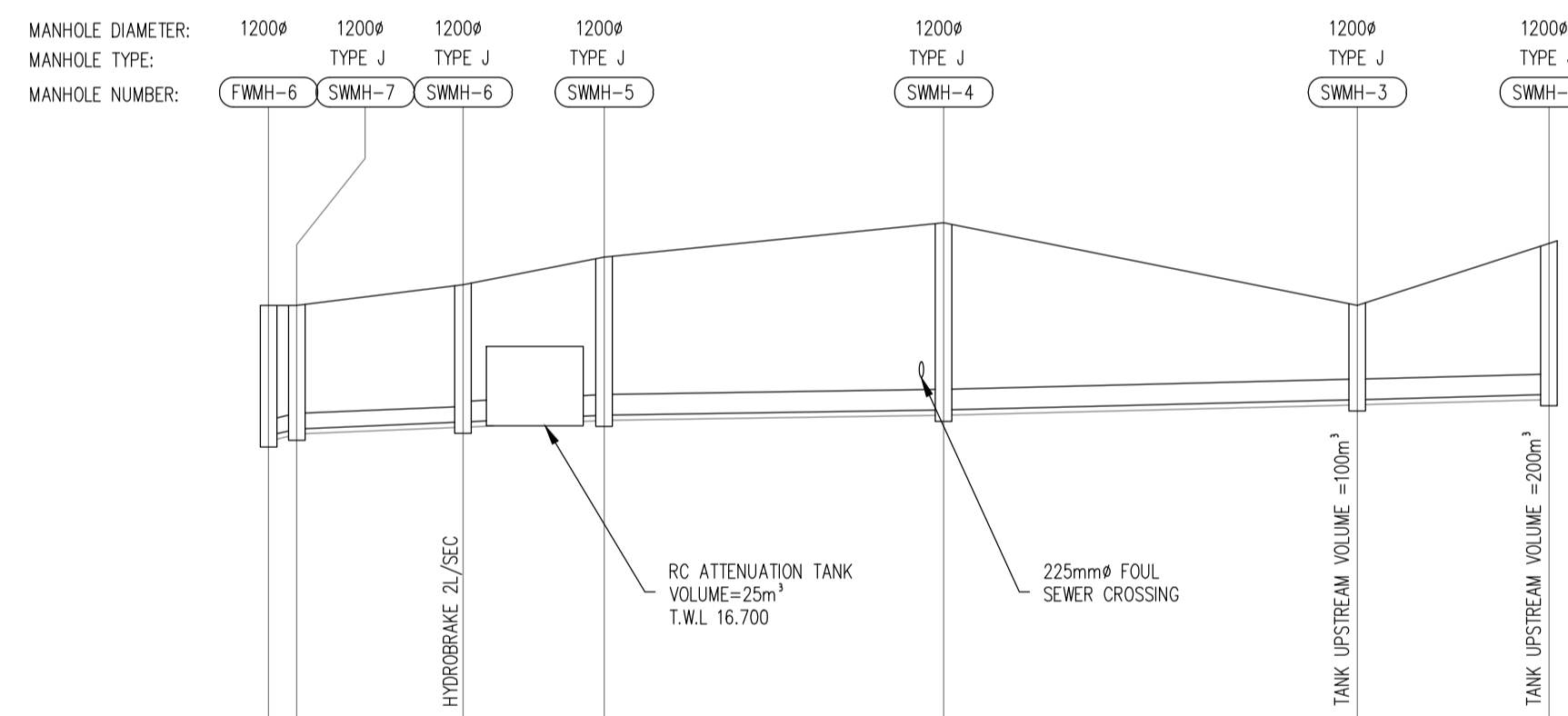
PN	F1.004	F1.003	F1.002	F1.001	F1.000
DIA (mm)	225	225	225	225	225
SLOPE (1:X)	60.0	60.0	132	150.0	150.0
COVER LEVEL (m)	17.005	17.300	17.600	18.500	17.900
INVERT LEVEL (m)	14.090	15.400	16.000	16.250	16.500
LENGTH (m)	5.857	12.440	3.957	31.536	37.392

FOUL SEWER FROM FWMH-1 TO FWMH-10 (OUTFALL)  
HORIZONTAL SCALE 1:500  
VERTICAL SCALE 1:100



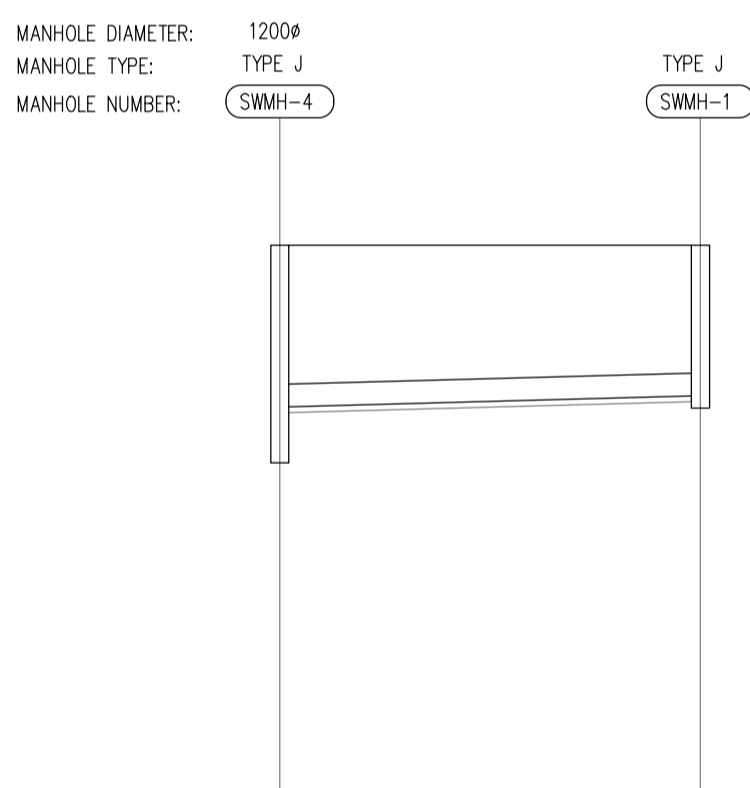
PN	F2.000
DIA (mm)	225
SLOPE (1:X)	22.0
COVER LEVEL (m)	18.500
INVERT LEVEL (m)	16.250
LENGTH (m)	27.249

FOUL SEWER FROM FWMH-2 TO FWMH-3  
HORIZONTAL SCALE 1:500  
VERTICAL SCALE 1:100



PN	S1.000	S1.000	S1.000	S1.000	S1.000	S1.000
DIA (mm)	225	225	300	300	300	300
SLOPE (1:X)	200	200	200	200	200	200
COVER LEVEL (m)	17.300	17.300	17.600	18.000	18.500	18.200
INVERT LEVEL (m)	15.400	15.500	15.600	15.700	15.775	16.000
LENGTH (m)	2.051	12.098	10.264	24.706	30.093	13.954

SURFACE WATER SEWER FROM SWMH-2 TO SWMH-6 (OUTFALL)  
HORIZONTAL SCALE 1:500  
VERTICAL SCALE 1:100



PN	S2.000
DIA (mm)	300
SLOPE (1:X)	200
COVER LEVEL (m)	18.500
INVERT LEVEL (m)	15.775
LENGTH (m)	27.815

SURFACE WATER SEWER FROM SWMH-4 TO SWMH-1  
HORIZONTAL SCALE 1:500  
VERTICAL SCALE 1:100

**PLANNING DRAWING.**  
NOT FOR CONSTRUCTION.  
ALL LEVELS GIVEN ARE  
RELATIVE TO ORDNANCE DATUM.  
THIS DRAWING HAS BEEN ISSUED FOR INFORMATION  
PURPOSES ONLY AND MUST NOT BE USED  
FOR CONSTRUCTION UNDER ANY CIRCUMSTANCES

**NOTES**

- For setting out refer to Architect's drawings.
- This drawing to be read in conjunction with all other Architectural and Engineering drawings and all other relevant drawings and Specifications.
- DO NOT SCALE THIS DRAWING. Use figured dimensions only.
- No part of this document may be reproduced or transmitted in any form or stored in any retrieval system of any nature without the written permission as copyright holder except as agreed for use on the project for which the document was originally issued.
- Ordnance Survey Ireland Licence Number EN 0074020

Rev. No.	Date	REVISION NOTE	Dim. By	Chkd. By
P1	27.11.2020	ISSUED FOR PLANNING	JS	NB

Architect	EML Architects			
Project	Proposed Development At James St.			
Title	Foul And Surface Water Longitudinal Sections			
Dwg. No.	C191-CSC-ZZ-XX-DR-C-0010			
Date	Dim by	Chkd by	Apprd by	Scale
26.11.2020	DD	AB	RFM	AS SHOWN @ A1
Revision	P1			

**CS Consulting Group**  
DUBLIN | LONDON | LIMERICK

Head Office  
19-22 Dame Street, Dublin 2.  
T: +353 (0)1 5480863 F: +353 (0)1 9011355  
e: info@csconsulting.ie  
w: www.csconsulting.ie

Quality I.S. EN ISO 9001:2008  
Environment I.S. EN ISO 14001:2004  
NSAI Certified Health & Safety OHSAS 18001:2007